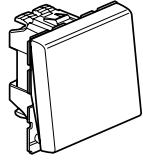


Mosaic™ 10 AX switches

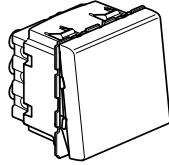
Cat. Nos.: 770 00/01/02/10/11/12/14/21/27
792 01/02/11/12/21

CONTENTS

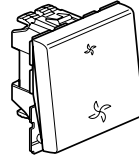
Page



770 11



770 21 - 792 21



770 27

1. Use.....	1
2. Range.....	1
3. Preparation.....	1-2
4. Overall dimensions.....	2
5. Connection.....	2-3
6. Operation.....	3
7. Technical characteristics.....	3
8. Cleaning.....	3
9. Accessories.....	3
10. Conformity - Approvals.....	3

1. USE

General lighting control mechanisms with or without signalling components (indicator light).

2. RANGE

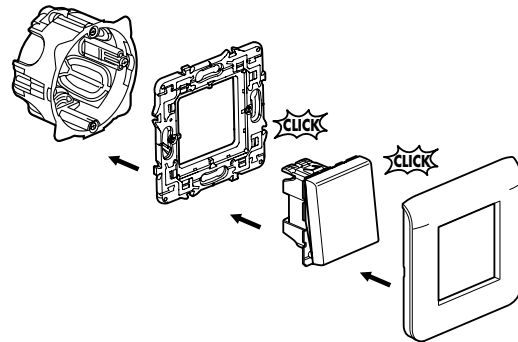
	Designation	Cat. No.	No. of modules	Connection method	Weight (g)	Characteristics
	Switch 10 AX	770 00*	1	automatic	17.00	10 AX 250 V~
	10 AX two-way switch	770 01			17.60	
	10 AX two-way switch, with indicator light	770 02	1	automatic.	18.79	10 AX 250 V~
	Switch 10 AX	770 10*	2	automatic	20.00	10 AX 250 V~
	10 AX two-way switch	770 11			21.81	
	10 AX two-way switch with indicator light	770 12	2	automatic	23.00	10 AX 250 V~
	10 AX two-way switch with aluminium cover plate	792 01	1	automatic	17.60	10 AX 250 V~
	10 AX two-way switch with indicator light and aluminium cover plate	792 02	1	automatic	18.79	10 AX 250 V~
	10 AX two-way switch with aluminium cover plate	792 11	2	automatic	21.81	10 AX 250 V~
	10 AX two-way switch with indicator light and aluminium cover plate	792 12	2	automatic	23.00	10 AX 250 V~
	10 AX two-way switch with CMV control	770 27	2	automatic	21.81	10 AX 250 V~
	10 AX two-way switch with pull cord	770 14	2	automatic	26.74	10 AX 250 V~
	10 AX intermediate switch	770 21	2	with screws	42.00	10 AX 250 V~
	10 AX intermediate switch with aluminium cover plate	792 21	2	with screws	42.00	10 AX 250 V~

*Only 2 terminals

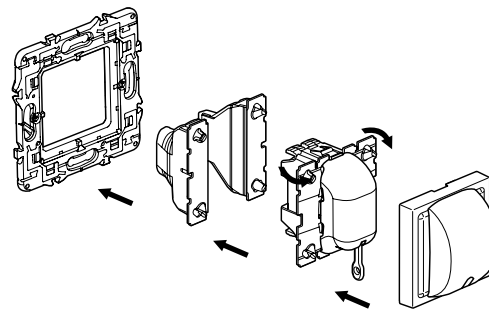
3. PREPARATION

Modular mounting of the mechanisms using adapter Cat. No. 802 99 (2 modules). The mechanisms are mounted on thin walls using adapters Cat. No. 802 90 (1 module), Cat. No. 802 91 (2 modules), Cat. No. 802 92 (2 x 1 vertical module). The mechanisms can be flush-mounted or surface-mounted.

3.1 General preparation



3.2 Preparation of indicator light for Cat. No. 770 14



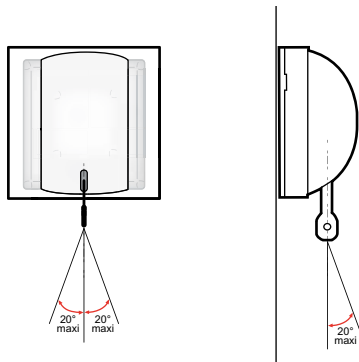
- 1 - Break the tabs
- 2 - Insert the mechanism on the indicator light
- 3 - Clip the whole into the support
- 4 - Position the cover.

Mosaic™ 10 AX switches

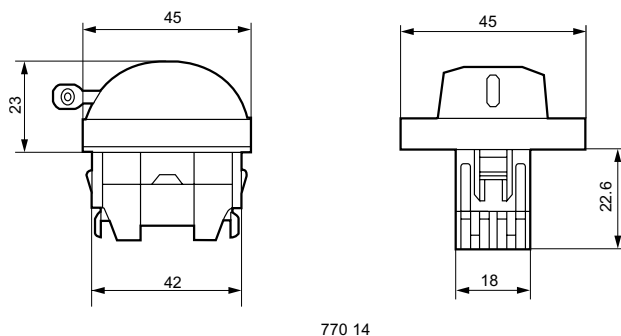
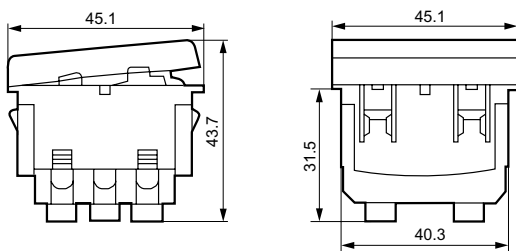
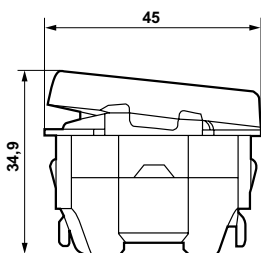
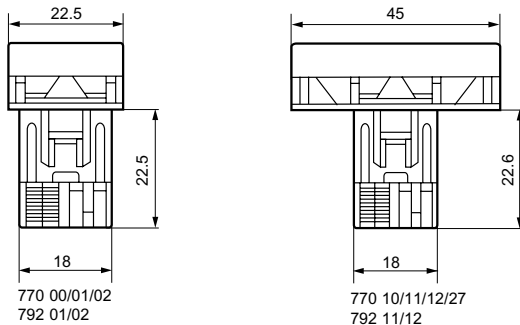
Cat. Nos.: 770 00/01/02/10/11/12/14/21/27
792 01/02/11/12/21

3. PREPARATION (continued)

3.3 Precaution for use for Cat. No. 770 14



4. OVERALL DIMENSIONS



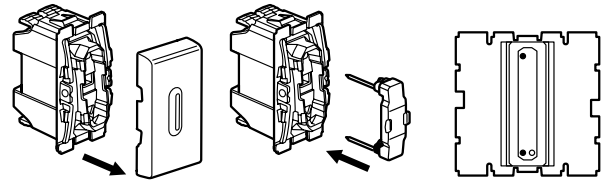
5. CONNECTION

	Terminals	Capacity	Stripping	Screwdriver
770 00 770 01 770 02 770 10 770 11 770 12 792 01 792 02 792 11 792 12 770 27 770 14	automatic	2 x 2.5 mm ²	Stripping guide 13 mm	
770 21 792 21	with screws	2 x 2.5 mm ²	Stripping guide 10 mm	Philips 1 Posidrive 1 Flat-blade 4 mm

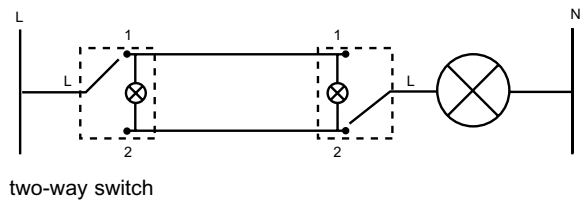
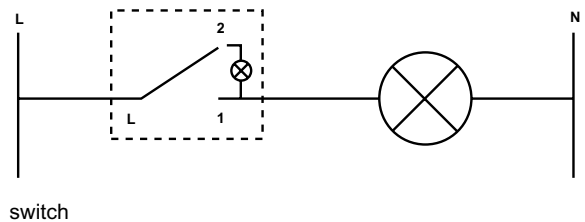
5.1 Wiring

Cat. Nos.: 770 02/12 792 02/12

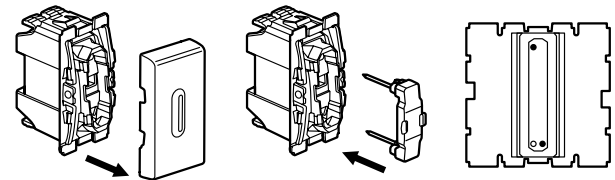
Illuminated function: Illuminates the switch in the dark.



- 1 - Unclip the rocker
- 2 - Insert the indicator light Cat. No. 676 66 or the indicator light Cat. 676 67



Indicator function: The lamp is switched on when the lighting is on.

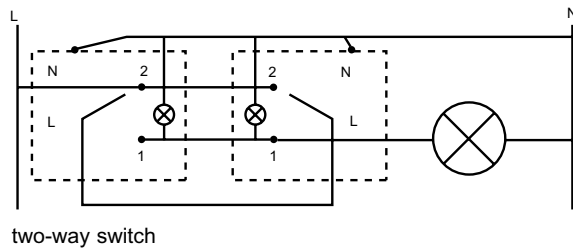
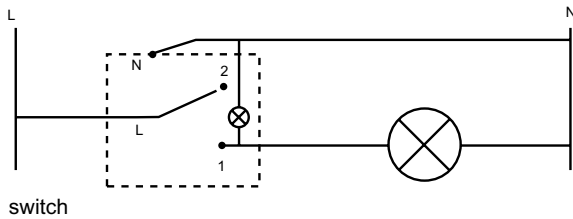


- 1 - Unclip the rocker
- 2 - Insert the indicator light Cat. No. 676 68

Mosaic™ 10 AX switches

Cat. Nos.: 770 00/01/02/10/11/12/14/21/27
792 01/02/11/12/21

5. CONNECTION (continued)



Cat. Nos. 770 14

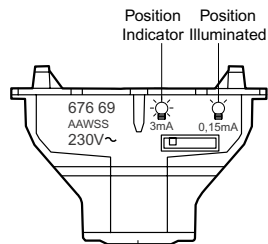
Indicator function or illuminated function, use the indicator light

Cat. No. 676 69

12 - 24 V, indicator light Cat. No. 667 61, d.c.: 0.2 mA; a.c.: 0.4 mA.

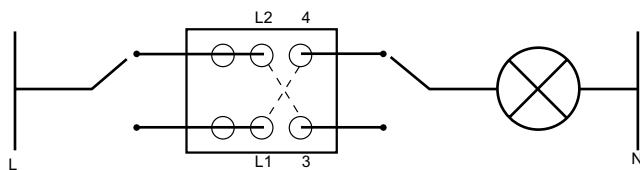
24 - 48 V, indicator light Cat. No. 667 62, d.c.: 0.9 mA; a.c.: 1.2 mA.

230 V, indicator light Cat. No. 667 69 a.c.: 0.15 to 3 mA.



connection via 2 automatic terminals
without release keys

Cat. Nos. 770 21 - 792 21



6. OPERATION

Switching mechanism (handling force 2.6 to 3.5 N):

Cat. Nos 770 00/01/02/10/11/12/21 792 02/11/12

Pull-cord mechanism (handling force 3 to 5 N) : Cat. No. 770 14

7. TECHNICAL CHARACTERISTICS

7.1 Mechanical characteristics

Impact tests: IK04

Protection against liquids: IP31 (C15100)

7.2 Material characteristics

Rocker: ABS (RAL 9003)

Base: Polycarbonate

Rocker support: Polycarbonate

7.3 Electrical characteristics

Self-extinguishing: 650° C / 30 s

Voltage: 250 V

Current: 10 AX

7.4 Climatic characteristics

Storage temperatures: - 10° C to + 70° C

Operating temperatures: - 5° C to + 50° C

8. CLEANING

Surface cleaning with a cloth.

Do not use: acetone, tar remover, trichloroethylene.

8.1 Resistance to cleaning agents

Resistance to the following agents: Hexane (EN 60669-1), methylated spirits, soapy water, diluted ammonia, pure bleach diluted 10%, glass cleaning substance, pre-impregnated wipes.

8.2 Resistance to hospital-type cleaning agents

Resistance to the following agents: Anios, Surfanios, Bactylisine, Diluted hydrogen peroxide (35%).

Caution: A preliminary test should be carried out if other specific cleaning products are to be used.

9. ACCESSORIES

Lights for switches with indicator light

Switches	Illuminated	Indicator
770 02 770 12 792 02 792 12	676 66 (230 V) 676 67 (12-24-48 V)	676 68 (230 V)
	676 69 (230 V / 0,15mA)	676 69 (230 V / 0,3 mA)
770 14	676 61 (12/24 V) 676 62 (24/48 V)	

Cord for two-way pull-cord switch

770 14	898 05 Cordon 1.5 m
--------	---------------------

10. CONFORMITY - APPROVALS

Approvals in process:

NF - CEBC - BBJ - EZU - VDE - OVE - AENOR - KEMA - MEEI - GOST - TSE.