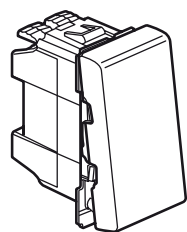
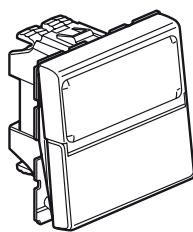


Mosaic™ 6 A pushbuttons

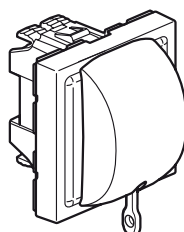
Cat. No(s): 0 770 30/31/32/40/41/42/43/44
0792 30/32/40/42



0 770 30/31
0 792 30



0 770 43



0 770 44

CONTENTS

Page

1. Use	1
2. Range	1
3. Preparation	1-2
4. Overall dimensions	2
5. Connection	2-3
6. Operation	3
7. Technical characteristics	3
8. Cleaning	3
9. Accessories	3
10. Conformity - Approvals	3

1. USE

General lighting control mechanisms with or without signalling elements (indicator light, label holder).

2. RANGE

	Designation	Finishes		Number of modules	Connection method	Weight (g)	Characteristics
		White plastic	Aluminium				
	6 A pushbutton	0 770 30	0 792 30	1	auto.	17.6	6 A - 250 V~
	6 A changeover pushbutton	0 770 31		1	auto.	17.6	6 A - 250 V~
	6 A changeover pushbutton with indicator light	0 770 32	0 792 32	1	auto.	18.79	6 A - 250 V~
	6 A pushbutton	0 770 40	0 792 40	2	auto.	21.81	6 A - 250 V~
	6 A changeover pushbutton	0 770 41		2	auto.	21.81	6 A - 250 V~
	6 A changeover pushbutton with indicator light	0 770 42	0 792 42	2	auto.	23	6 A - 250 V~
	6 A changeover pushbutton with label holder	0 770 43		2	auto.	22.7	6 A - 250 V~
	6 A changeover pushbutton with pull-cord	0 770 44		2	auto.	26.74	6 A - 250 V~

3. PREPARATION

Modular mechanisms using adapter Cat. No. 0 802 99 (2 modules).

The mechanisms are mounted on thin walls using adapters Cat. No. 0 802 90 (1 module), Cat. No. 0 802 91 (2 modules), Cat. No. 0 802 92 (2 x 1 vertical module).

The mechanisms can be flush-mounted or surface-mounted.

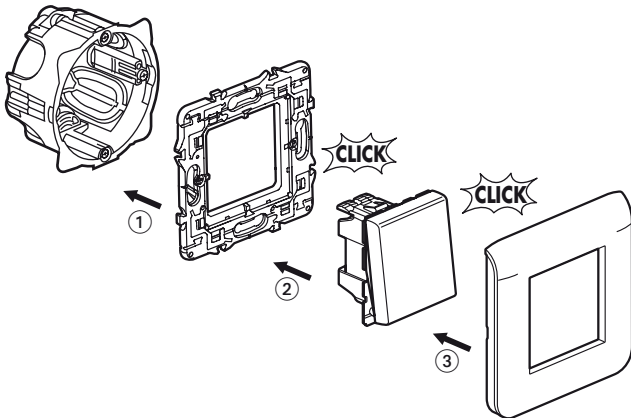
Mosaic™

6 A pushbuttons

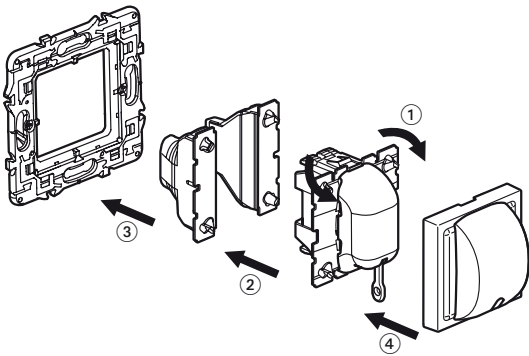
Cat. No(s): 0 770 30/31/32/40/41/42/43/44
0 792 30/32/40/42

3. PREPARATION (cont'd)

3.1 General preparation

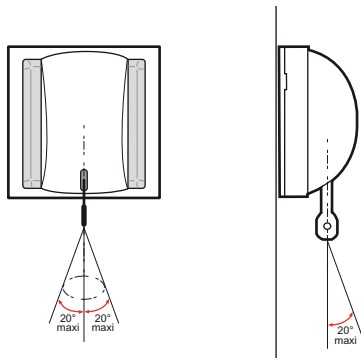


3.2 Preparation with indicator light for Cat. No. 0 770 44

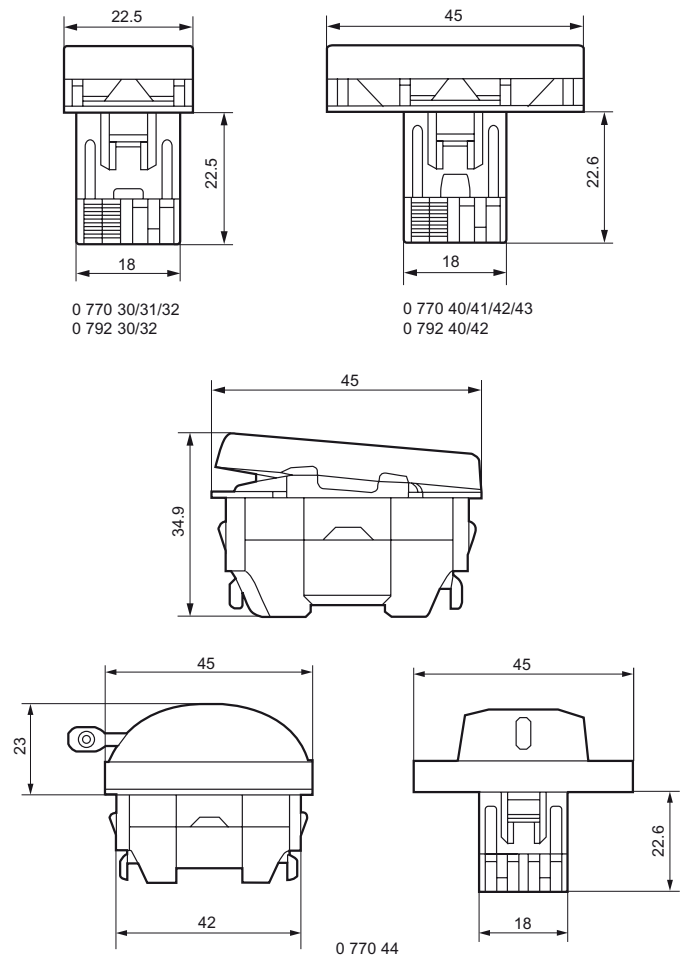


- 1 - Break the tabs
- 2 - Insert the mechanism on the indicator light
- 3 - Clip the whole into the support
- 4 - Position the cover

3.3 Precaution for use for Cat. No. 0 770 44

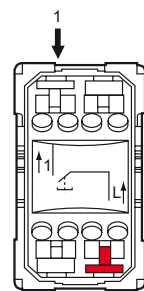


4. OVERALL DIMENSIONS



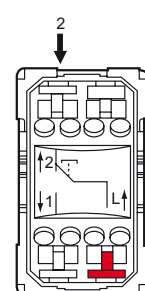
5. CONNECTION

	Terminals	Capacity	Stripping
0 770 30 0 770 31 0 770 32 0 770 40 0 770 41 0 770 42 0 770 43 0 770 44 0 770 14 0 792 30 0 792 32 0 792 42	automatic	2 x 2.5 mm ²	Stripping guide 13 mm



Connect
the phase in L

0 770 30/40
0 792 30/40



Connect
the phase in L

0 770 31/32/41/42/43/44
0 792 32/42

Mosaic™

6 A pushbuttons

Cat. No(s): 0 770 30/31/32/40/41/42/43/44
0792 30/32/40/42

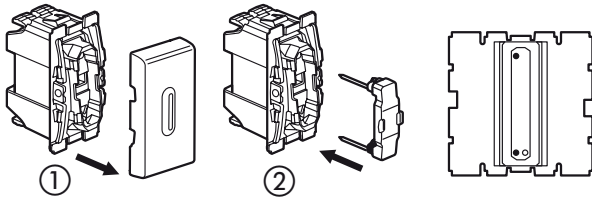
5. CONNECTION (cont'd)

5.1 Wiring

Catalogue numbers: 0 770 32/42 - 0 792 32/42

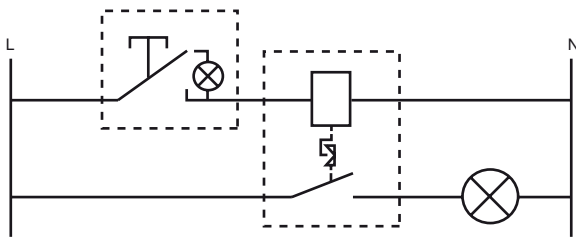
Indicator function: Only possible with support frame Cat. No. 0 802 62.

Illuminated function: Illuminates the pushbutton in the dark.



1 - Unclip the rocker

2 - Insert indicator light Cat. No. 0 676 66
or indicator light Cat. No. 0 676 67



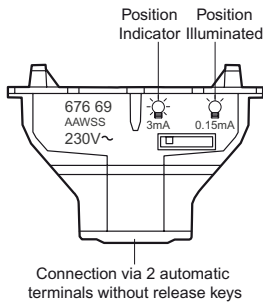
Catalogue number: 0 770 44

Indicator or illuminated function, use indicator light Cat. No. 0 676 69 (potential-free terminals).

Indicator light, 12 - 24 V, Cat. No. 0 667 61 DC : 0.2 mA ; AC : 0.4 mA

Indicator light, 24 - 48 V, Cat. No. 0 667 62 DC : 0.9 mA ; AC : 1.2 mA

Indicator light, 230 V, Cat. No. 0 667 69 AC : 0.15 to 3 mA.



6. OPERATION

Switch mechanism (handling force 2.6 to 3.5 N)

(Cat. Nos. 0 770 30/31/32/40/41/42/43)

Pull-cord mechanism (handling force 3 to 5 N) (Cat. No. 0 770 44)

7. TECHNICAL CHARACTERISTICS

7.1 Mechanical characteristics

Impact tests: IK04

Protection against liquids: IP41 (C15100)

7.2 Material characteristics

Rocker: ABS (RAL 9003)

Base: Polycarbonate

Rocker support: Polycarbonate

7.3 Electrical characteristics

Self-extinguishing: 650° C / 30 s

Voltage: 250 V

Current: 6A

7.4 Climatic characteristics

Storage temperatures: - 10° C to + 70° C

Operating temperatures: - 5° C to + 50° C

8. CLEANING

Surface cleaning with a cloth.

Do not use: acetone, tar remover, trichloroethylene.

8.1 Resistance to cleaning agents

Resistance to the following agents: Hexane (EN 60669-1), Methylated spirits, Soapy water, Diluted ammonia, Diluted pure bleach 10%, Glass cleaning substance, Pre-impregnated wipes.

8.2 Resistance to hospital-type cleaning agents.

Resistance to the following agents: Anios, Surfanos, Bactillysine, Diluted hydrogen peroxide (35%).

Caution: A preliminary test should be carried out if other specific cleaning products are to be used.

9. ACCESSORIES

Lights for pushbuttons with indicator light

Pushbuttons	Illuminated	Indicator
0 770 32 0 770 42 0 792 32 0 792 42	0 676 66 (230 V) 0 676 67 (12-24-48 V)	
0 770 44	0 676 69 (230 V / 0.15 mA)	0 676 69 (230 V / 0.3 mA)
	0 676 61 (12-24 V) 0 676 62 (24-48 V)	

Cord for pushbutton with pull-cord

Pushbutton	Cord 1.5 m
0 770 44	0 898 05

10. CONFORMITY - APPROVALS

Approvals in process: NF - CEBEC - EZU - BBJ - VDE - OVE - AENOR - KEMA - MEEI - GOST - TSE.